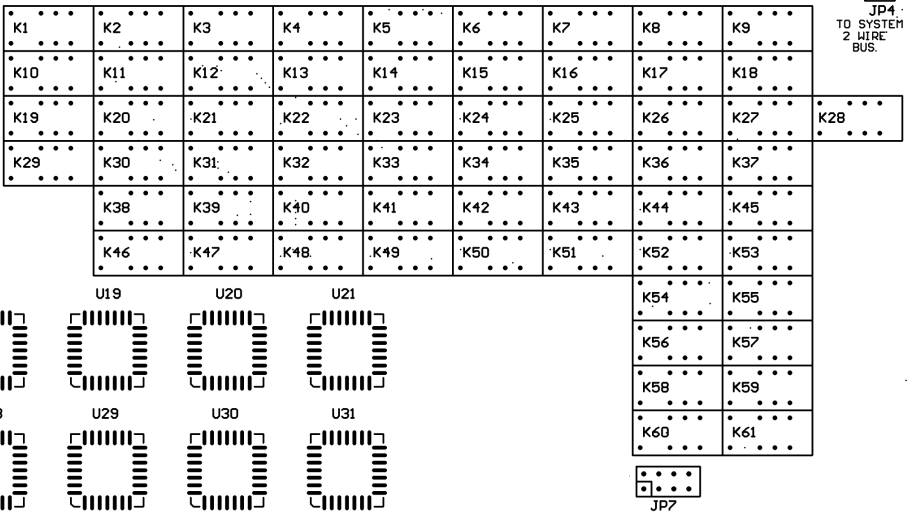


**PWR-2 Power Module
3800-070 RevB**

TP	Relay	Relay Control	TP	Relay	Relay Control
1631	K2A	U19 - Pin 25	1639	K30A	U29 - Pin 25
	K11A	U20 - Pin 25		K38A	U30 - Pin 25
	K11B	U20 - Pin 25		K38B	U30 - Pin 25
	K20A	U21 - Pin 25		K46A	U31 - Pin 25
	K20B	U21 - Pin 25		K46B	U31 - Pin 25
1632	K3A	U19 - Pin 24	1640	K31A	U29 - Pin 24
	K12A	U20 - Pin 24		K39A	U30 - Pin 24
	K12B	U20 - Pin 24		K39B	U30 - Pin 24
	K21A	U21 - Pin 24		K47A	U31 - Pin 24
	K21B	U21 - Pin 24		K47B	U31 - Pin 24
1633	K4A	U19 - Pin 23	1641	K32A	U29 - Pin 23
	K13A	U20 - Pin 23		K40A	U30 - Pin 23
	K13B	U20 - Pin 23		K40B	U30 - Pin 23
	K22A	U21 - Pin 23		K48A	U31 - Pin 23
	K22B	U21 - Pin 23		K48B	U31 - Pin 23
1634	K5A	U19 - Pin 22	1642	K33A	U29 - Pin 22
	K14A	U20 - Pin 22		K41A	U30 - Pin 22
	K14B	U20 - Pin 22		K41B	U30 - Pin 22
	K23A	U21 - Pin 22		K49A	U31 - Pin 22
	K23B	U21 - Pin 22		K49B	U31 - Pin 22
1635	K6A	U19 - Pin 21	1643	K34A	U29 - Pin 21
	K15A	U20 - Pin 21		K42A	U30 - Pin 21
	K15B	U20 - Pin 21		K42B	U30 - Pin 21
	K24A	U21 - Pin 21		K50A	U31 - Pin 21
	K24B	U21 - Pin 21		K50B	U31 - Pin 21
1636	K7A	U19 - Pin 20	1644	K35A	U29 - Pin 20
	K16A	U20 - Pin 20		K43A	U30 - Pin 20
	K16B	U20 - Pin 20		K43B	U30 - Pin 20
	K25A	U21 - Pin 20		K51A	U31 - Pin 20
	K25B	U21 - Pin 20		K51B	U31 - Pin 20
1637	K8A	U19 - Pin 19	1645	K36A	U29 - Pin 19
	K17A	U20 - Pin 19		K44A	U30 - Pin 19
	K17B	U20 - Pin 19		K44B	U30 - Pin 19
	K26A	U21 - Pin 19		K52A	U31 - Pin 19
	K26B	U21 - Pin 19		K52B	U31 - Pin 19
1638	K9A	U19 - Pin 18	1646	K37A	U29 - Pin 18
	K18A	U20 - Pin 18		K45A	U30 - Pin 18
	K18B	U20 - Pin 18		K45B	U30 - Pin 18
	K27A	U21 - Pin 18		K53A	U31 - Pin 18
	K27B	U21 - Pin 18		K53B	U31 - Pin 18

**PWR-2 Power Module
3800-070 RevB**

	Relay	Relay Control		Relay	Relay Control
Indep. Relays					
R1	K54A	U18 - Pin 20	Switched GND	K58A	U28 - Pin 24
R2	K55A	U18 - Pin 19	Switched -12Vdc F2	K59A	U28 - Pin 23
R3	K56A	U18 - Pin 18	Switched +5Vdc F3	K60A	U28 - Pin 22
R4	K57A	U28 - Pin 25	Switched +12Vdc F1	K61A	U28 - Pin 21
JP4-1 Out +	K28A	U18 - Pin 21	Prog V #1 GND Ref	K1A	U18 - Pin 25
JP4-2 Out -	K28B	U18 - Pin 21	Prog V #2 GND Ref	K10A	U18 - Pin 24
Power Zener	K19A	U18 - Pin 23			
+50V Zener	K29A	U18 - Pin 22			
-50V Zener	K29B	U18 - Pin 22			



PULL UP FOR DIGITAL I/O

JP6: 5V 12V

